

# foam generation - mini fomax



## Mini Fomax Foam Generator

Although smaller than conventional high expansion foam generators, the Mini Fomax offers similar expansion and foam output to its bigger brother. It is suited to all normal high expansion applications and powered by a single water nozzle driving a bronze pelton wheel. Simply connect to a supply of synthetic foam compound, such as Macron Highex, and a water supply.

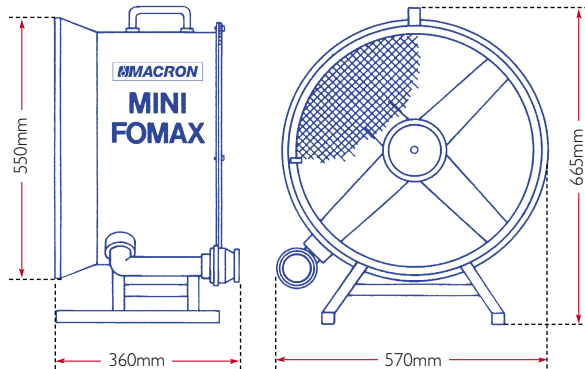
Mini Fomax is available with an optional built-in foam inducing system or can be run in conjunction with a 200 lpm inductor, such as the Macron IND 50.

An optional 7.5m length of smoke extraction ducting attached by quick release strap converts the unit to a smoke extractor.



### features

- ▶ Easily portable
- ▶ Uniquely small size
- ▶ Optional built-in foam inducing system
- ▶ Excellent expansion and foam output performance
- ▶ Smoke extractor option



Technical Data				
<b>Construction</b>	Body of stainless steel; all pipework and fittings in corrosion resistant materials. The pelton wheel installation is maintenance free.			
<b>Expendable ducting</b>	The generator is designed to use expendable tubing for ducting foam. Attaching the tubing is a simple, quick operation.			
<b>Smoke extractor version</b>	The Mini Fomax is ideally suited for use as a smoke extractor. A 7.5m length of smoke extraction ducting can be supplied with the unit for simple connection by quick release strap. Further lengths can be added to achieve the desired length.			
<b>Dimensions and weight</b>	Width: 570mm	Height: 665mm	Depth: 360mm	Weight: 20kg



Mini Fomax foam generator

Performance			
Pressure	Total water flow lpm	Foam production m <sup>3</sup> /min	Foam expansion
5 bar	225	90	400:1
7 bar	250	117	470:1
8.5 bar	270	135	500:1

Pressures are measured at the water inlet. Performance may be subject to slight variation with changes in ambient temperature and foam compound composition



Mini Fomax as smoke extractor

